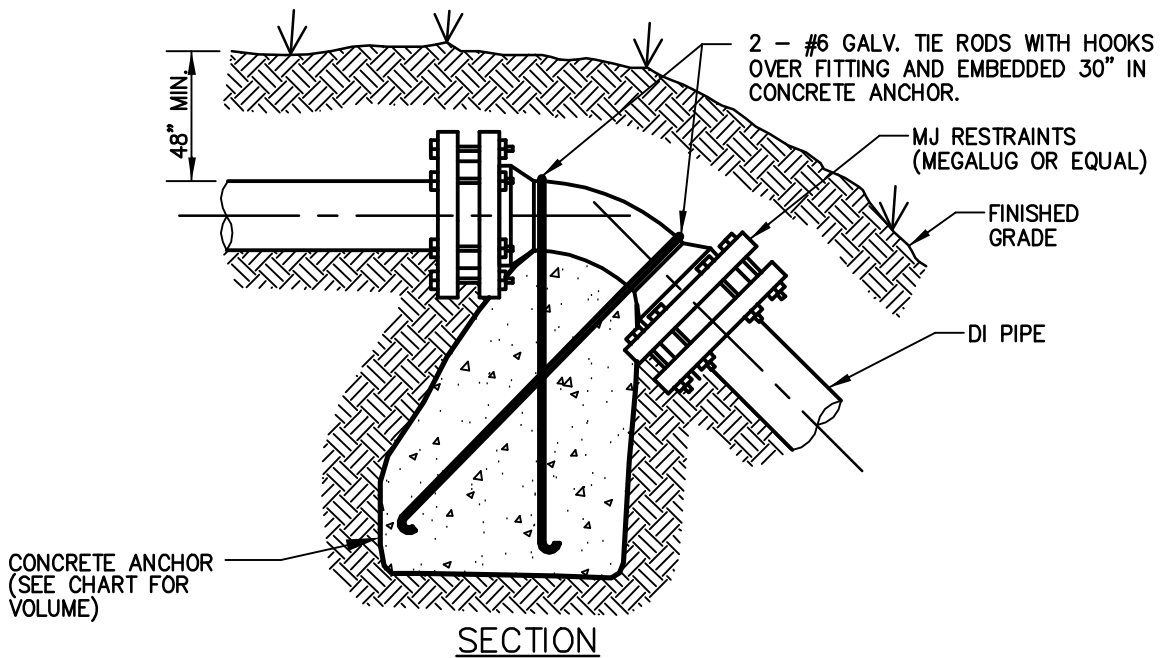


NOTES

1. USE READY-MIX CONCRETE WITH 3,000 PSI STRENGTH @ 28 DAYS.
2. PLACE CONCRETE CLEAR OF JOINT & JOINT ACCESSORIES.
3. DIMENSION ARE BASED ON 200 PSI STATIC PRESSURE PLUS AWWA WATER HAMMER (FS = 1.5).

VOLUME OF CONCRETE ANCHOR (CUBIC YARDS)			
FITTING DIAMETER	45° BEND	22.5° BEND	11.25° BEND
4"	1.00	0.50	0.25
6"	2.50	1.25	0.50
8"	4.25	2.25	1.00
12"	9.75	5.00	2.50
16"	17.0	8.75	4.50



1	12/20/03	DLJ	GENERAL REVISION
NO.	DATE	BY	REVISION

BARTOW COUNTY, GEORGIA
 BARTOW COUNTY WATER SYSTEM
 TELEPHONE (770) 387-5170

**WATER DETAILS
 TIE-DOWN BLOCKING**

DRAWN BY: DJH

SCALE: NTS

DATE: NOVEMBER 15, 1996

DWG. NO.: WAT-8