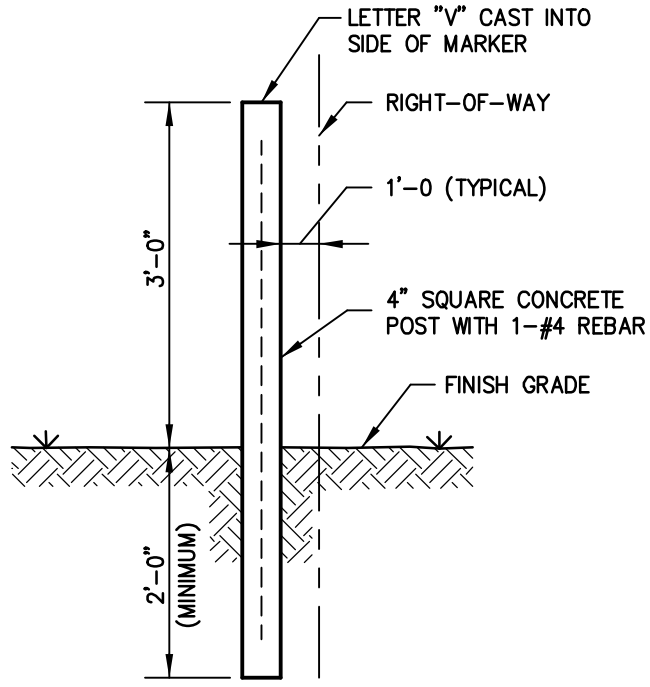


NOTES

1. PLACE MARKER IN A PROTECTED LOCATION AT EDGE OF RIGHT-OF-WAY.
2. MARKER NOT REQUIRED FOR VALVES AT FIRE HYDRANTS.
3. PROVIDE VALVE MARKERS ONLY WHERE DESIGNATED BY BCWD.



ELEVATION

2	12/20/03	DLJ	REVISION DIMENSIONS
1	03/7/01	DVK	REVISED DIMENSIONS
NO.	DATE	BY	REVISION

**BARTOW COUNTY, GEORGIA**  
 BARTOW COUNTY WATER SYSTEM  
 TELEPHONE (770) 387-5170

**WATER DETAILS  
 VALVE MARKER**

DRAWN BY: DJH	SCALE: NTS	DATE: NOVEMBER 15, 1996	DWG. NO.: WAT-3
---------------	------------	-------------------------	-----------------