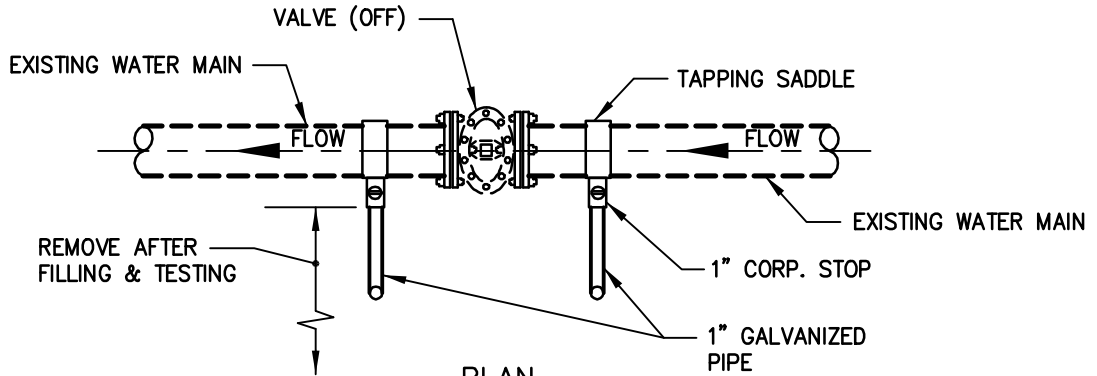
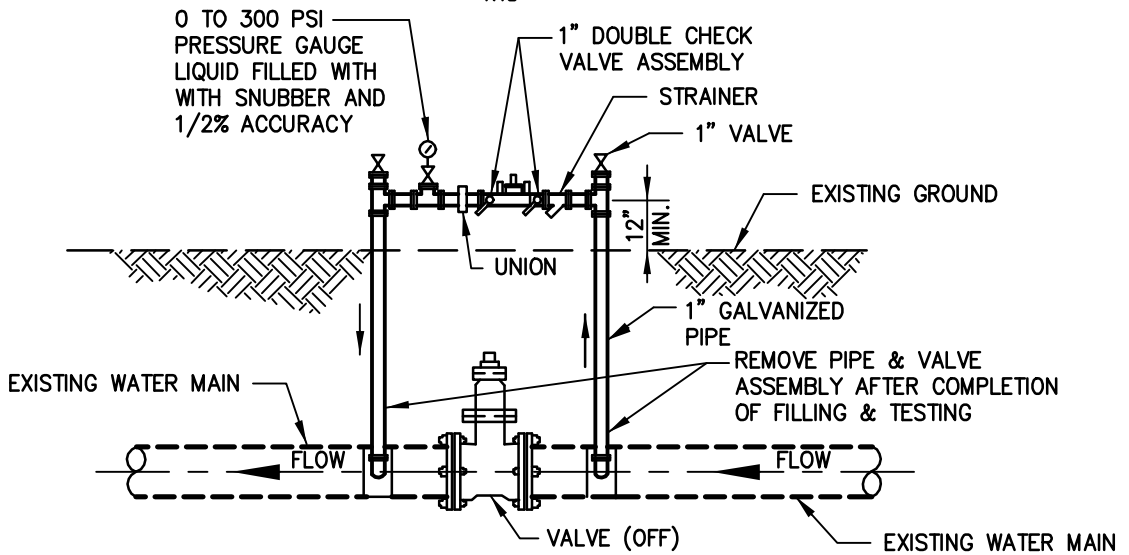


**NOTES**

1. PROTECT FROM FREEZING.
2. PROTECT FROM TRAFFIC.
3. REMOVE AND SALVAGE PIPE AND VALVE ASSEMBLY FOR OWNER AFTER FILLING AND TESTING.



**PLAN**  
NTS



**SECTION**

**BARTOW COUNTY, GEORGIA**  
BARTOW COUNTY WATER SYSTEM  
TELEPHONE (770) 387-5170

**WATER DETAILS**  
**FILL VALVE ASSEMBLY**

DRAWN BY: DVK

SCALE: NTS

DATE: DEC. 20, 2003

DWG. NO.: WAT-16