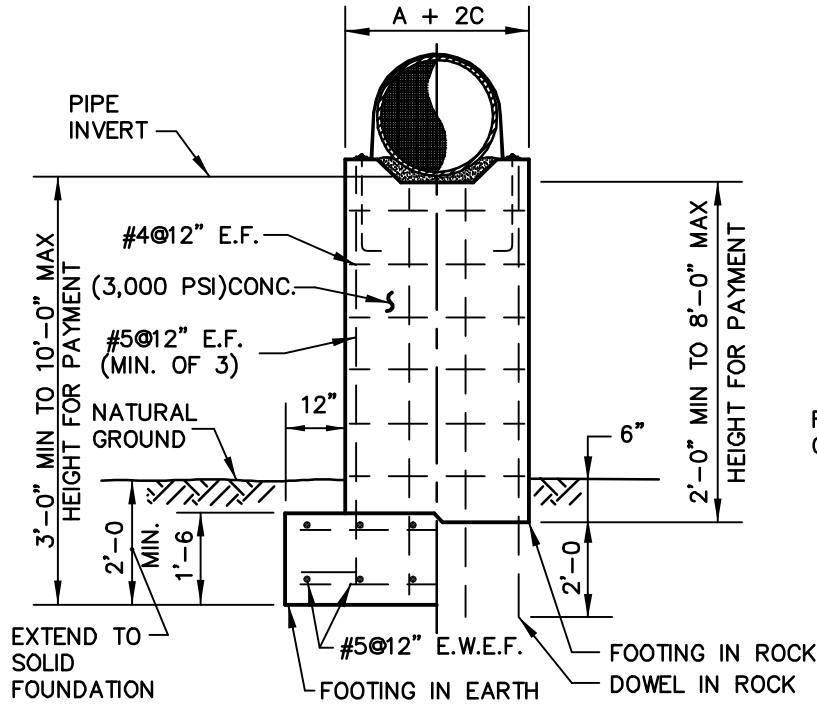
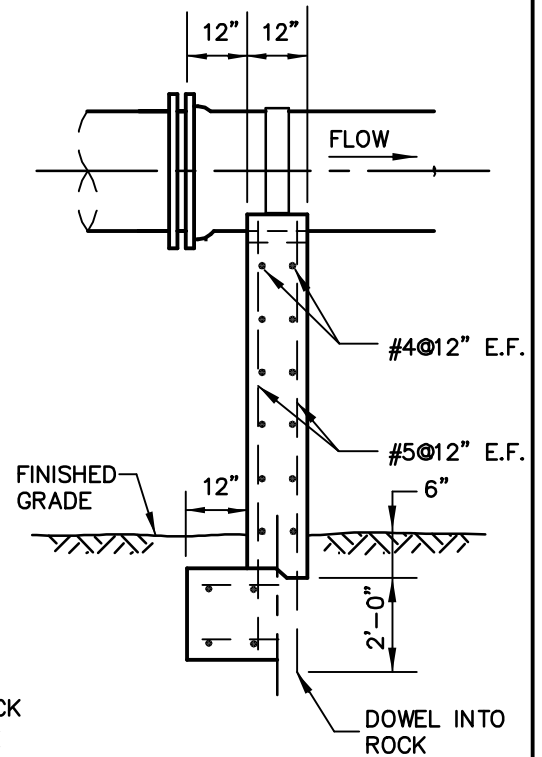


DIMENSIONS			
PIPE SIZE	A	B	C
8"	12"	2"	7"
10"	14"	2-1/2"	7"
12"	16"	3"	7"
16"	19"	4"	9"
18"	21"	5"	10"
20"	23"	5"	11"
24"	26"	6"	11"
30"	32"	7-1/2"	13"
36"	38"	9"	13"

SADDLE DETAIL



FRONT ELEVATION



SIDE ELEVATION

1	12/20/03	DLJ	REVISED NOTES
NO.	DATE	BY	REVISION

BARTOW COUNTY, GEORGIA
 BARTOW COUNTY WATER SYSTEM
 TELEPHONE (770) 387-5170

SEWER DETAILS
CONCRETE PIER

DRAWN BY: DJH

SCALE: NTS

DATE: NOVEMBER 15, 1996

DWG. NO.: SEW-8